

Section EN54 Voice Evacuation Systems

Category EN54-24 Loudspeakers

Code C97/30-EN, C97/30N-EN

References

Safety: Compliant to EN 50200, EN 62368-1

Emergency: EN54-24:2008 (cert. n° 0068/CPR/169-2022)
ISO 7240-19:2010 - CEN/TS 54-32:2015 - EN 50849

Application: Indoor environment (Type A)



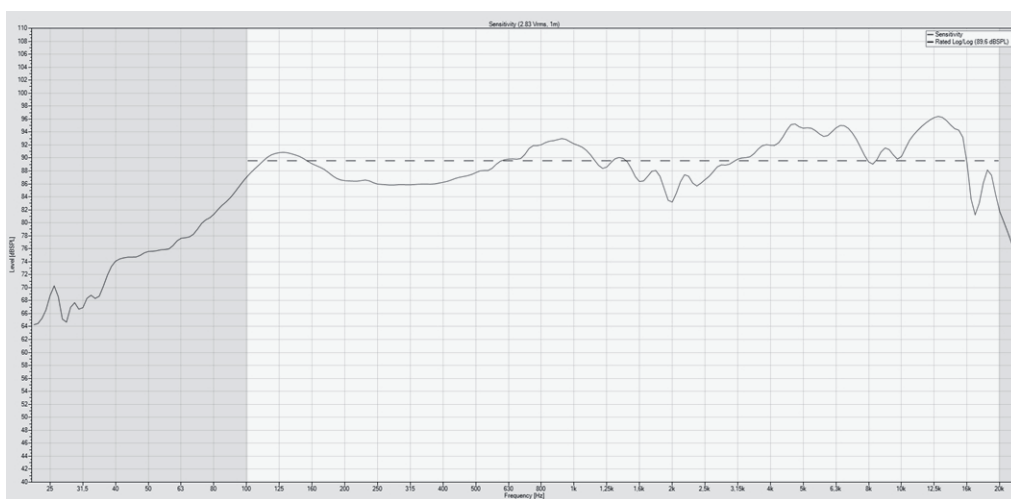
Description EN54-24 30 W HI-FI 2-way monitor box speaker units

The **C97/30-EN** monitor box speaker units feature two loudspeakers - 5.25" woofer & 1" tweeter - and are constructed with self-extinguishing 5VB ABS structure and metallic grille. They are equipped with a protected integrated thermal fuse, a 100 V transformer for connection and a rotary switch which allows easy adjustment of the output power. Low impedance connection (8 Ω) is also available. A "C" shaped metal bracket allows installation on the wall and practical orientation.

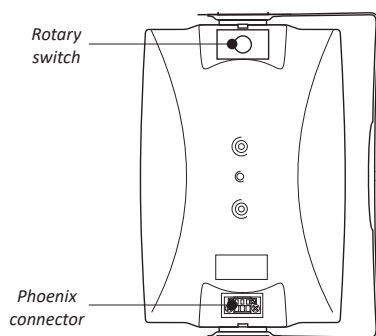
These speakers provide excellent sound performance as well as powerful music reproduction. Ideal for application in large spaces such as schools, hotels, airports, conference rooms and houses of worship.

Available in white (**C97/30-EN**) and black (**C97/30N-EN**).

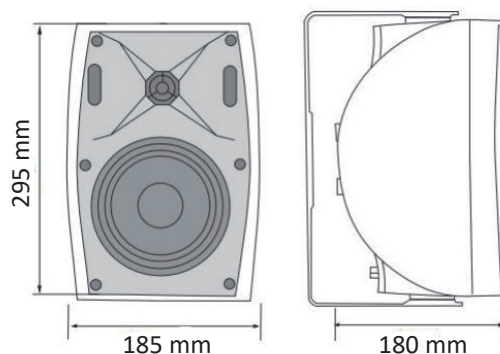
Technical data



Frequency response @ 1W/1m



Rear view



Overall dimensions

Technical data

C97/30-EN, C97/30N-EN



22

PASO S.p.A Via Settembrini, 34 - 20045 Lainate (MI)

0068

0068/CPR/169-2022

EN 54-24

Loudspeaker for voice alarm systems
for fire detection and fire alarm systems for buildings

C97/30-EN, C97/30N-EN

Type A

No. of loudspeakers	2, 5.25" woofer & 1" tweeter										
Rated output power	30 W										
Adjustable power	30 W / 15 W / 7,5 W / 3,75 W - 8 Ω										
Impedance (100 V line)	333 Ω / 666 Ω / 1333 Ω / 2666 Ω										
Line transformer inputs	100 V / 70 V										
Rated impedance	8 Ω										
Frequency response @ -6dB	100 ÷ 20.000 Hz										
Efficiency @ 1W/1m	89 dB										
Maximum sound pressure SPL @ Pmax/1m	103 dB										
Dispersion angle @ -6dB	<table border="0"> <tr> <td>Horizontal</td> <td>Vertical</td> </tr> <tr> <td>360° (500 Hz)</td> <td>360° (500 Hz)</td> </tr> <tr> <td>190° (1 kHz)</td> <td>160° (1 kHz)</td> </tr> <tr> <td>70° (2 kHz)</td> <td>120° (2 kHz)</td> </tr> <tr> <td>40° (4 kHz)</td> <td>50° (4 kHz)</td> </tr> </table>	Horizontal	Vertical	360° (500 Hz)	360° (500 Hz)	190° (1 kHz)	160° (1 kHz)	70° (2 kHz)	120° (2 kHz)	40° (4 kHz)	50° (4 kHz)
Horizontal	Vertical										
360° (500 Hz)	360° (500 Hz)										
190° (1 kHz)	160° (1 kHz)										
70° (2 kHz)	120° (2 kHz)										
40° (4 kHz)	50° (4 kHz)										
Protection degree	IP 44										
Material	ABS 5VB structure, metallic grille & stainless steel bracket										
Mounting	Wall-mounting, with bracket (included)										
Colour	White (C97/30-EN) Black (C97/30N-EN)										
Dimensions	180 x 295 x 185 mm										
Net weight	3,1 kg										